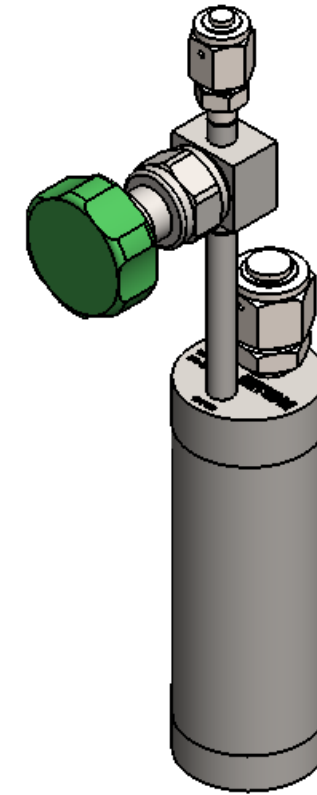
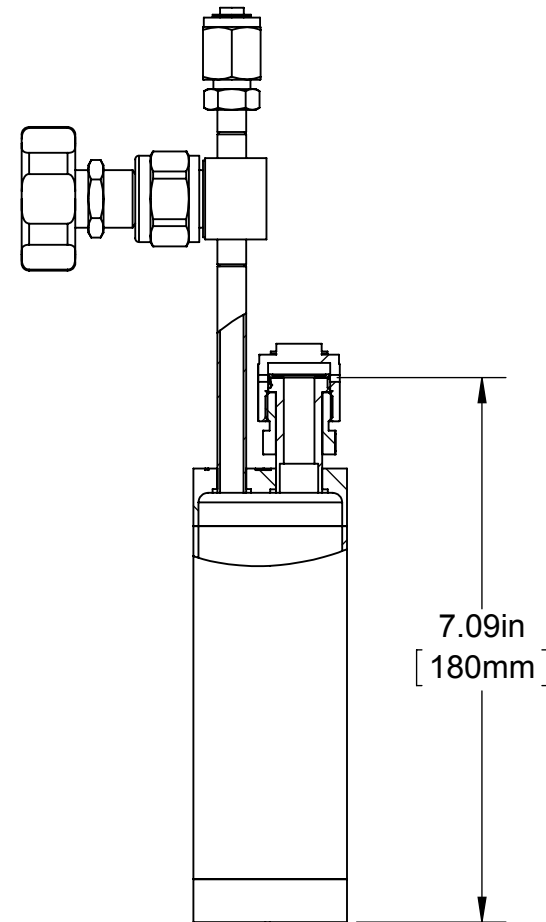
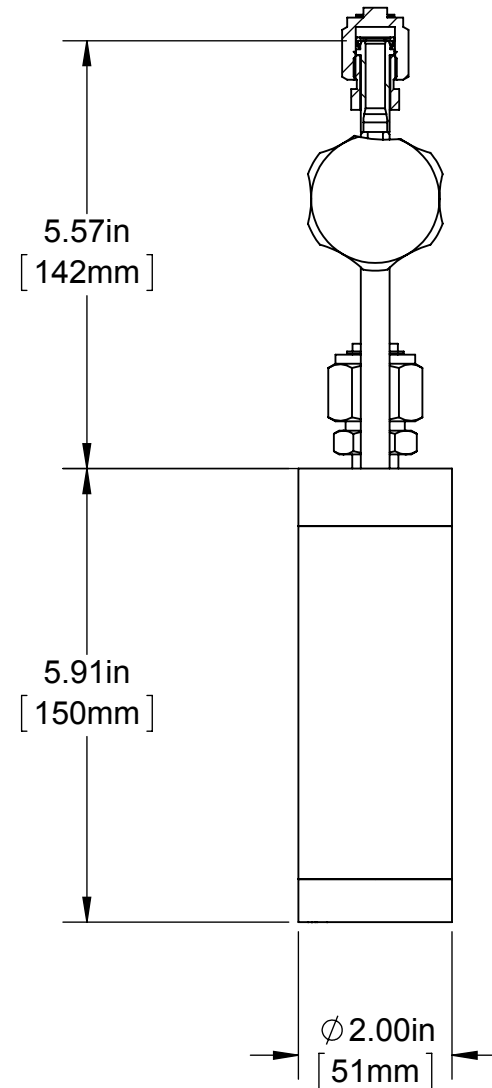
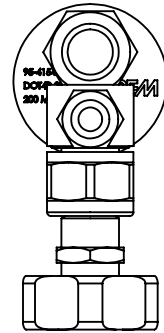




TECHNICAL NOTES: STREM ITEM NUMBER 95-4154

REV.	DATE
03	04/06/2015

STAINLESS STEEL CYLINDER, 200ml, SINGLE VERTICAL STEM,  
ELECTROPOLISHED WITH FILL-PORT, PCTFE VALVE STEM TIP, DOT 4B, UN STAMPED



DESIGN SPECIFICATION	
CYLINDER MODEL	95-4154
CYLINDER SIZE	2" DIAMETER
CYLINDER WORKING VOLUME	200ml
CYLINDER TOTAL VOLUME	233ml
CYLINDER TARE WEIGHT	2.75
DESIGN PRESSURE	300PSI
TEST PRESSURE	600PSI
DESIGN TEMPERATURE	250F/121C
INTERNAL FINISH	10ra, MIRROR, ELECTROPOLISH
EXTERNAL FINISH	10ra, MIRROR, ELECTROPOLISH
FILLPORT	1/2" MVCR
INLET VALVE	N/A
OUTLET VALVE	SS-DSTW4
THERMOWELL	NO
DIPTUBE	NO
MATERIAL OF CONSTRUCTION	316L SS
D.O.T. SPECIFICATION	4B-300
TOLERANCE (UNLESS OTHERWISE SPECIFIED)	±.060

**NOTICE OF CONFIDENTIAL INFORMATION**

©COPYRIGHT 2014 STREM CHEMICALS, INC. ALL RIGHTS RESERVED.

THIS IMAGE IS PROTECTED UNDER FEDERAL AND INTERNATIONAL COPYRIGHT LAW. NO PART OF THIS IMAGE MAY BE REPRODUCED, STORED OR TRANSMITTED IN ANY FORM BY ANY MEANS WITHOUT THE PRIOR WRITTEN CONSENT OF STREM CHEMICALS, INC. THIS IMAGE IS PROVIDED SOLELY AS A DEPICTION OF THE ITEM DESCRIBED. THERE IS NO RIGHT OR LICENSE GRANTED HEREIN TO CONSTRUCT THE ITEM DEPICTED IN THE IMAGE OR TO CREATE DERIVATIVE WORKS OF THE SAME WITHOUT THE PRIOR WRITTEN CONSENT OF STREM CHEMICALS, INC. ALL SUCH RIGHTS ARE EXPRESSLY RESERVED.