

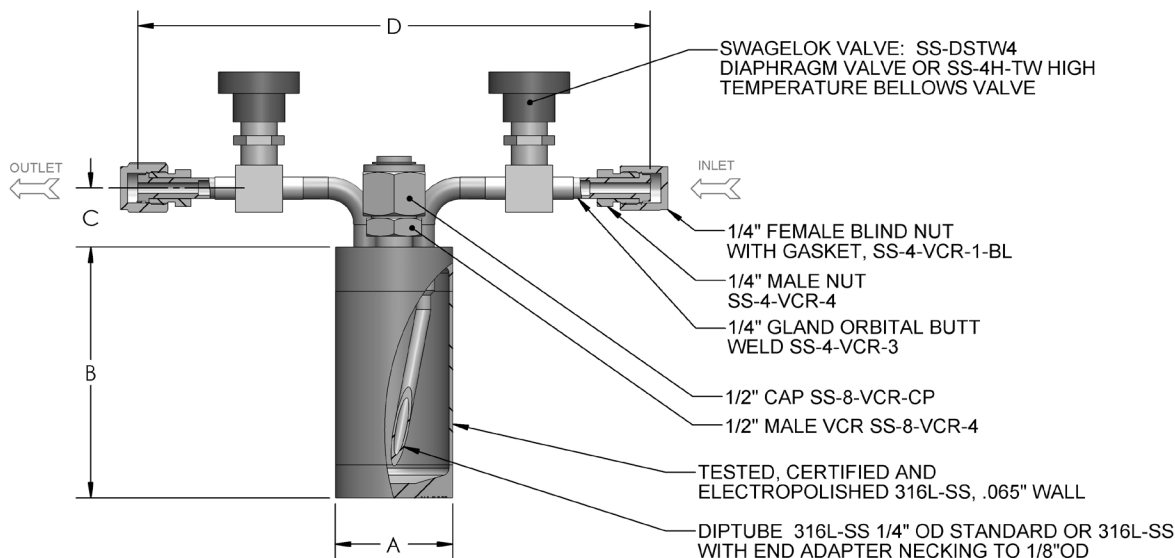
Stainless Steel Bubblers, vertical, electropolished with fill-port, PCTFE valve stem tip (121°C), DOT 4B

Catalog #	Vol. (mL)	A mm	B mm	C mm	D mm	E mm	Temp. Valve	Special Configuration
95-4151	150	51	108	143	83	13	Standard	
95-4290	300	51	187	143	83	13	Standard	
95-4598	600	76	164	143	83	13	Standard	
95-4998	1000	76	254	143	83	13	Standard	
95-5002	1200	102	184	143	83	13	Standard	
95-5003	1500	102	223	143	83	13	Standard	
95-5001	2000	102	292	143	83	13	Standard	
95-5011	3000	152	213	140	83	13	Standard	
95-3000	150	51	108	140	83	13	Standard	replaceable-seat valves with rotated handles
95-4153	150	51	108	143	83	13	Standard	with rotated handles

Stainless Steel Bubblers, vertical, electropolished with fill-port, high temperature valves (315°C), DOT 4B

Catalog #	Vol. (mL)	A mm	B mm	C mm	D mm	E mm	Temp. Valve	Special Configuration
95-0271	150	51	108	140	83	13	High	
95-0270	300	51	187	140	83	13	High	
95-4599	600	76	164	140	83	13	High	
95-4002	1200	102	184	143	83	13	High	
95-4155	150	51	108	140	83	13	High	with rotated handles
95-0276	150	51	108	140	83	13	High	with short dip tube, cut to 1 inch from top of bubbler
95-4157	200	51	150	140	83	13	High	with rotated handles
95-0280	300	51	187	140	83	13	High	with rotated handles
95-4295	300	51	187	140	83	13	High	with rotated handles, no dip tube
95-4610	600	76	164	127	83	13	High	with rotated handles, no dip tube, stems same height

See reverse side for Horizontal Stainless Steel Bubblers



Stainless Steel Bubblers, horizontal, electropolished with fill-port, PCTFE valve stem tip (121°C), DOT 4B							
Catalog #	Vol. (mL)	A mm	B mm	C mm	D mm	Temp. Valve	Special Configuration
95-5151	150	51	108	24	222	Standard	
95-5298	300	51	187	24	222	Standard	
95-5599	600	76	164	24	222	Standard	
95-5998	1000	76	254	24	222	Standard	
95-5004	2000	152	152	24	222	Standard	
95-0273	150	51	108	24	222	Standard	with reversed handles

Stainless Steel Bubblers, horizontal, electropolished with fill-port, high temperature valves (315°C), DOT 4B							
Catalog #	Vol. (mL)	A mm	B mm	C mm	D mm	Temp.Valve	Special Configuration
95-0272	150	51	108	24	222	High	
95-5006	300	51	187	24	222	High	
95-5007	600	76	164	24	222	High	
95-5008	1000	76	254	24	222	High	
95-5009	1000	76	254	24	222	High	no dip tube

See reverse side for Vertical Stainless Steel Bubblers



CORPORATE OFFICE
Ascensus Specialties
2821 Northup Way, Suite 275
Bellevue, WA 98004



P: +1-424-448-1679
E: ask@ascensusspecialties.com
www.ascensusspecialties.com