

| Stainless Steel Bubblers, vertical, electropolished with fill-port, PCTFE valve stem tip (121°C) | | | | | | | | |
|--|-----------|------|------|------|------|------|-------------|---|
| Catalog # | Vol. (mL) | A mm | B mm | C mm | D mm | E mm | Temp. Valve | Special Configuration |
| 96-4151 | 150 | 51 | 108 | 140 | 83 | 13 | Standard | |
| 96-4290 | 300 | 51 | 187 | 140 | 83 | 13 | Standard | |
| 96-4598 | 600 | 76 | 163 | 140 | 83 | 13 | Standard | |
| 96-4998 | 1000 | 76 | 254 | 140 | 83 | 13 | Standard | |
| 96-5002 | 1000 | 102 | 165 | 140 | 83 | 13 | Standard | |
| 96-5003 | 1400 | 102 | 203 | 140 | 83 | 13 | Standard | |
| 96-5001 | 1800 | 102 | 254 | 140 | 83 | 13 | Standard | |
| 96-5011 | 2750 | 152 | 188 | 140 | 83 | 13 | Standard | |
| 96-4149 | 150 | 51 | 108 | 140 | 83 | 13 | Standard | with short dip tube, cut to 5cm from top of bubbler |
| 96-4153 | 150 | 51 | 108 | 140 | 83 | 13 | Standard | with rotated handles |

| Stainless Steel Bubblers, vertical, electropolished with fill-port, high temperature valves (315°C) | | | | | | | | |
|---|-----------|------|------|------|------|------|-------------|--|
| Catalog # | Vol. (mL) | A mm | B mm | C mm | D mm | E mm | Temp. Valve | Special Configuration |
| 98-0271 | 150 | 51 | 108 | 140 | 83 | 13 | High | |
| 98-0270 | 300 | 51 | 187 | 140 | 83 | 13 | High | |
| 96-4599 | 600 | 76 | 163 | 140 | 83 | 13 | High | |
| 96-4996 | 1000 | 76 | 254 | 140 | 83 | 13 | High | |
| 98-0276 | 150 | 51 | 108 | 140 | 83 | 13 | High | with short dip tube, cut to 1 inch from top of bubbler |
| 98-0280 | 300 | 51 | 187 | 140 | 83 | 13 | High | with rotated handles |
| 96-4295 | 300 | 51 | 187 | 140 | 83 | 13 | High | with rotated handles, no dip tube |
| 96-4610 | 600 | 76 | 163 | 140 | 83 | 13 | High | with rotated handles, no dip tube , stems same height |

See reverse side for Horizontal Stainless Steel Bubblers

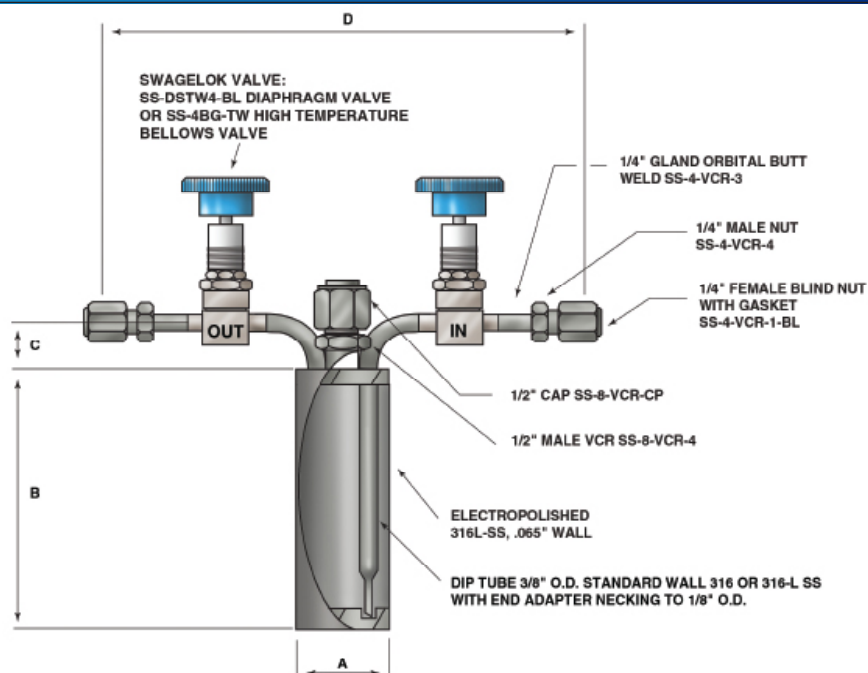
Visit www.strem.com for new product information and a searchable catalog.

Strem Chemicals, Inc.
7 Mulliken Way
Newburyport, MA 01950
U.S.A.
Tel: 978.499.1600
Fax: 978.465.3104
Email: info@strem.com

Strem Chemicals, Inc.
15, rue de l'Atome
Zone Industrielle
67800 BISCHHEIM France
Tel: (33) 03 88 62 52 60
Fax: (33) 03 88 62 26 81
Email: info.europe@strem.com

Strem Chemicals, Inc.
Postfach 1215
77672 KEHL
Germany
Tel: 0 78 51/ 7 58 79
Email: info.europe@strem.com

Strem Chemicals UK Ltd.
An Independent Distributor of Strem Chemicals Products
Newton Hall, Town Street
Newton, Cambridge
England CB22 7ZE
Tel: 0845 643 7263
Fax: 0845 643 7362
Email: enquiries@strem.co.uk



| Stainless Steel Bubblers, horizontal, electropolished with fill-port, PCTFE valve stem tip (121°C) | | | | | | | |
|--|-----------|------|------|------|------|-------------|-----------------------|
| Catalog # | Vol. (mL) | A mm | B mm | C mm | D mm | Temp. Valve | Special Configuration |
| 96-5151 | 150 | 51 | 108 | 34 | 222 | Standard | |
| 96-5298 | 300 | 51 | 187 | 34 | 222 | Standard | |
| 96-5599 | 600 | 76 | 163 | 34 | 222 | Standard | |
| 96-5998 | 1000 | 76 | 254 | 34 | 222 | Standard | |
| 96-5004 | 1800 | 102 | 254 | 34 | 222 | Standard | |
| 98-0273 | 150 | 51 | 108 | 34 | 222 | Standard | with reversed handles |
| 98-0275 | 150 | 51 | 108 | 34 | 222 | Standard | with rotated handles |

| Stainless Steel Bubblers, horizontal, electropolished with fill-port, high temperature valves (315°C) | | | | | | | |
|---|-----------|------|------|------|------|-------------|-----------------------|
| Catalog # | Vol. (mL) | A mm | B mm | C mm | D mm | Temp. Valve | Special Configuration |
| 98-0272 | 150 | 51 | 108 | 34 | 222 | High | |
| 96-5006 | 300 | 51 | 187 | 34 | 222 | High | |
| 96-5007 | 600 | 76 | 163 | 34 | 222 | High | |
| 96-5008 | 1000 | 76 | 254 | 34 | 222 | High | |

See reverse side for Vertical Stainless Steel Bubblers

Visit www.strem.com for new product information and a searchable catalog.

Strem Chemicals, Inc.
7 Mulliken Way
Newburyport, MA 01950
U.S.A.
Tel: 978.499.1600
Fax: 978.465.3104
Email: info@strem.com

Strem Chemicals, Inc.
15, rue de l'Atome
Zone Industrielle
67800 BISCHHEIM France
Tel: (33) 03 88 62 52 60
Fax: (33) 03 88 62 26 81
Email: info.europe@strem.com

Strem Chemicals, Inc.
Postfach 1215
77672 KEHL
Germany
Tel: 0 78 51/ 7 58 79
Email: info.europe@strem.com

Strem Chemicals UK Ltd.
An Independent Distributor of Strem Chemicals Products
Newton Hall, Town Street
Newton, Cambridge
England CB22 7ZE
Tel: 0845 643 7263
Fax: 0845 643 7362
Email: enquiries@strem.co.uk